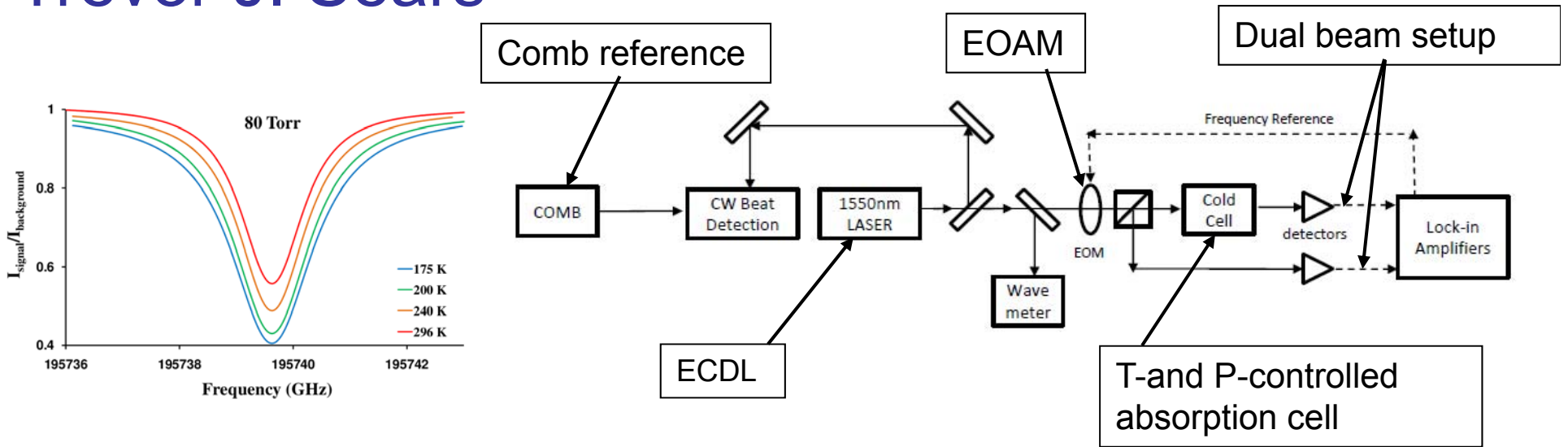


Frequency-based optical spectroscopy

Trevor J. Sears



For remote (atmospheric) sensing one needs to know the variation of the perturbed spectral line shape with temperature and pressure.

Measurements of the pressure dependent line shape as a function of temperature and a T-dependent model permit extraction of species profiles from few laboratory measurements.

